

HOBART

WAREWASHING
RACK-TYPE DISHWASHER CS





RELIABLE

COM



**TOTAL PERFORMANCE
IN YOUR KITCHEN**

At HOBART, we take pride in providing reliable and innovative high quality kitchen equipment that has been engineered to ensure that whatever challenges the day may bring, you can make it happen with HOBART.

Let's make it happen!

ACT





HOBART

THE PERFECT SOLUTION
FOR ALL SECTORS OF INDUSTRY

RACK-TYPE DISHWASHER CS



HOSPITALITY

Bar & Pub / Bistro & Café /
Hotel & Restaurant



FOODSERVICE

Nursing home /
Canteen / School





THE MODEL

PROFI CS

The **PROFI CS** is HOBART's smallest rack-type dishwasher and stands for top quality and absolute reliability. If the capacity of a hood-type dishwasher is not sufficient to meet your needs in the wash up area, the **PROFI CS** is the perfect solution. By using the optional heat recovery, you can save up to 7 kWh of energy.



BEST WASH RESULT

NON-CLOGGING NOZZLES

For continuous strong washing

The indented nozzles cannot be obstructed, resulting in a constantly powerful wash and perfect quality results. The combination of four upper and three lower wash arms leads to perfect results.

THOROUGH DUAL RINSE

With efficient usage of fresh water

A second rinse zone is integrated prior to the actual final rinse. Here, the fresh water collected in the receiving pan is used a second time in an additional pre-rinse. The optional dual rinse ensures a sparkling wash every time.

PRACTICAL DRYING

For a quick reuse of the wash ware

A perfect wash result means not only sparkling clean, but also dry tableware. The optional dryer fulfils these requirements quickly and precisely, allowing rapid reuse of all washed items.



WIDE-ANGLE NOZZLES

Even distribution of the wash water

During the washing operation, an even distribution of the wash water is essential to achieve a perfect wash result. For the wash jets to be most effective, they were given a special shape by HOBART so that compared to conventional systems, they cover a larger area in a more accurate manner.

Your benefit

The even and compact distribution of the wash water on the wash ware provides for a significantly improved wash result.

EASY HANDLING

ECOTRONIC CONTROL

Easy operation of the machine



The new control panel with its clear layout ensures simple and intuitive control of the rack-type dishwasher. The ECOTRONIC control system can also be used to determine the transport speed, for which you have three options. A temperature display is also included as standard.

WASH ARM SLIDER

Quickly ready for cleaning

Our patented wash arm sliders allow you to clean the interior of the wash arms easily and comfortably. While conventional systems required you to unscrew the end caps of the wash arms first, now a single step is sufficient to get to the wash arm opening.



closed



open



COMPREHENSIVE CLEANING ASSISTANCE

Guaranteed orientation for cleaning

Colour-coded cleaning assistance

Daily cleaning increases the performance and service life of your dishwashing system. To assist you in recognising which elements need to be removed for cleaning, these are marked in blue.

Coded curtains

The curtains separating the different wash zones are clearly marked, preventing them from being mixed up when they are re-inserted.

Coded wash and rinse arms

The clear identification of the wash and rinse arms prevents them from being mixed up when they are inserted.

DROP-IN WASH SYSTEM

Facilitates cleaning

Make cleaning the machine as easy as possible for yourself. Thanks to the easy removal and reliable insertion of the wash systems by means of a drawer slide, cleaning work is as easy as could be.



HIGH LEVEL OF ECONOMY



CLIMATE ENERGY SAVING SYSTEM

For the efficient use of energy

Lower your costs – Increase your efficiency – Protect the environment: the CLIMATE energy saving system not only helps you to prevent energy losses, but also to lower the operating costs of your machine.

How does that work?

The energy of the hot exhaust air is continuously returned to the machine by means of a heat recovery system. Savings up to 7 kW/h are possible in this manner.

Your benefits

- Your machine's operating costs are significantly reduced.
- Minimised energy loss via exhaust air.
- Does not require a direct exhaust air connection to the room ventilation system

SMARTCONNECT



HOBART SMARTCONNECT APP

Key features at a glance

The HOBART SmartConnect app provides you with a comprehensive overview of the status of your dishwasher – free of charge for 5 years.

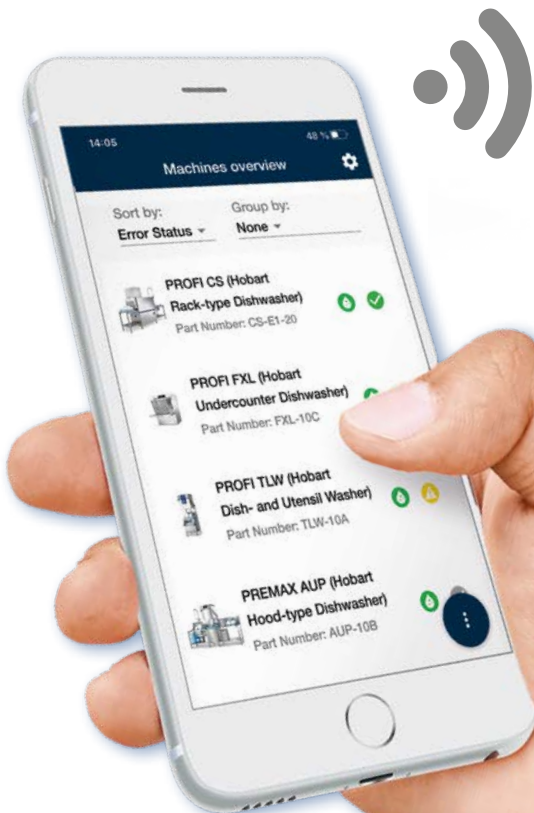
Connect, learn, benefit

Based on this data, you can avoid downtime and contact HOBART customer service or an approved service partner. SmartConnect also provides illustrated instructions for smaller malfunctions so that you can rectify them yourself.

An overview of all functions

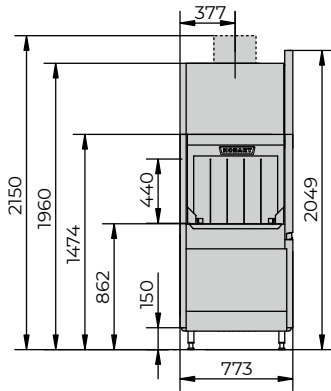
- Machine status (keep up-to-date regarding the statuses of all your machines)
- Machine information (with all important settings and machine information)
- Recording of error messages (in addition, you will be notified by email concerning any system errors)
- Operating costs calculator (overview of the consumption costs)
- Hygiene information (as a log book)
- Usage (information about the efficient use of the machine)

You can find more information on the availability of SmartConnect in different countries and languages as well as further information at www.HobartSmartConnect.com

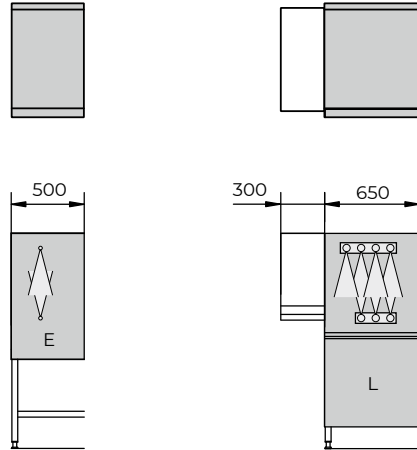


DRAWINGS / MODULE SELECTION

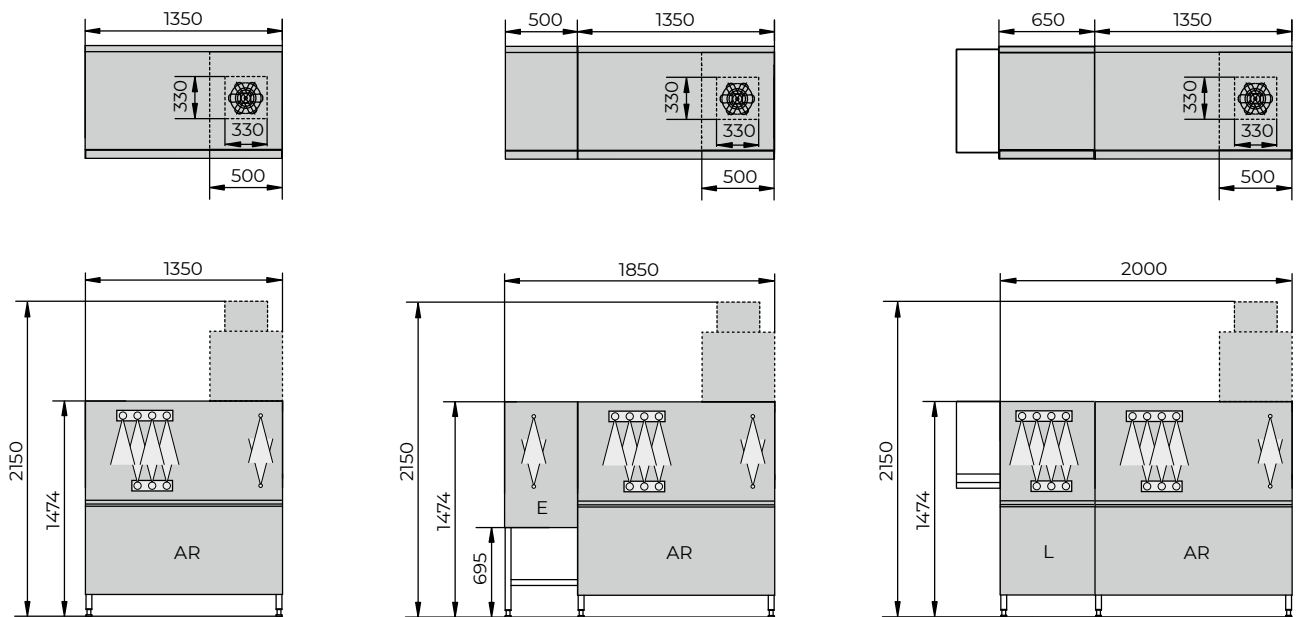
ENTRY SECTION



PRE-WASH ZONES



MAIN WASH ZONES / RINSE ZONES



TECHNICAL DATA

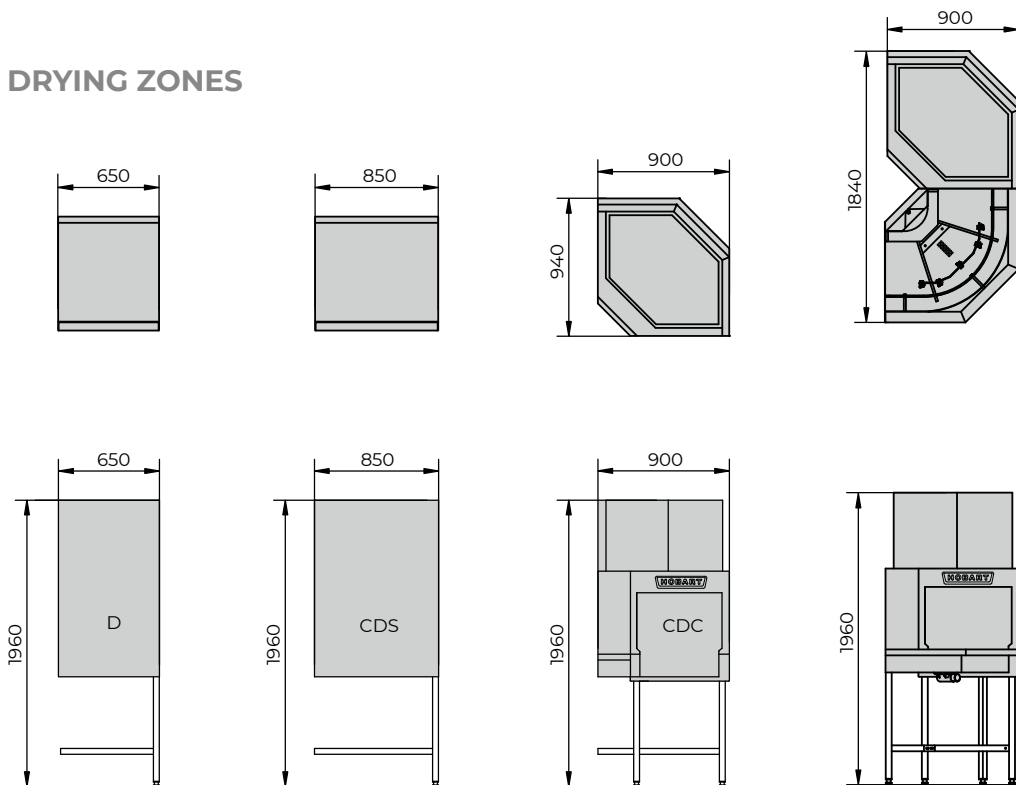
PROFI CS						
RACKS Maximum capacity	AVERAGE WATER CONSUMPTION		ENERGY CONSUMPTION in kWh ^[1] (connected value in kW) for machines with heat recovery and drying zone	RECOMMENDED MODEL SELECTION	TOTAL LENGTH	
	in number/h	in l/h			in l/rack ^[2]	in mm, without drying zone
50/80/120	160	1.3	21.4 (26.8)	CS-A	1,350	2,200
70/100/150	180	1.2	22.6 (28.3)	CS-E-A	1,850	2,700
100/135/200	200	1.0	24.9 (31.1)	CS-L-A	2,000	2,850

All speeds: hygienic wash result based on DIN SPEC 10534

^[1] Average value with an exemplary set of covers and type of business

^[2] Ideal values

DRYING ZONES





OUR VISION

Wash without water

Intensive market research has shown that our customers expect warewashing technology that combines efficiency with optimal performance. We are focused on meeting these demands and they form the foundation of our vision to "wash without water". This vision is our continuous incentive to break new ground in order to constantly reduce the consumption of water, energy and chemicals. We continue pursuing this goal methodically and with the most innovative engineering. Indeed, we already know that:

»» When the first machine is finally capable of washing without water, it will be a HOBART. ««

THE COMPANY

We are HOBART

HOBART is the world market leader for commercial warewashing technology and a well known manufacturer of cooking, food preparation, and environmental technology. Established in 1897 in Troy, Ohio, today HOBART employs more than 6,900 employees around the world. At our manufacturing plant in Offenburg, Germany, HOBART develops, produces, and distributes warewashing technology worldwide. The hotel and catering trade, cafeterias, bakeries and butcher shops, supermarkets, airlines, cruise ships, automotive suppliers, research centres and pharmaceutical companies all over the world swear by our innovative products, which are considered to be economical and ecological market leaders.



MADE IN GERMANY

We provide this promise of quality to our customers, and it represents our personal standard upheld by all our staff at HOBART.



OUR FOCUS

Innovative – economical – sustainable

This is our philosophy. To us, **innovation** means continuously setting new standards in technology, combined with real added value for the customer. Our group's Technological Centre, and our own Innovation Centre for Warewashing Technology at our headquarters in Germany, make this possible. With this combined innovative power we create highly efficient products which continuously confirm our status as technological leader. To be **economical** means to set standards in terms of the lowest operating costs, minimal use of resources and to revolutionise the market continuously. To be **sustainable** means responsible handling of resources and a sustainable energy policy. This applies not only to the product in use, but in general to all areas of the organisation, such as purchasing or manufacturing.

HOBART SERVICE

Competent – fast – reliable

HOBART offers a worldwide service partner network for all products. These technicians always carry out maintenance and repair work competently, quickly and reliably. Thanks to regular trainings and many years of experience, they have detailed product knowledge and will help you so that you can focus on your business. Good to know: The lifetime service warranty also guarantees the availability of all spare parts for the entire lifetime of your machine.

HOBART

DEUTSCHLAND/ÖSTERREICH

HOBERT GMBH

Robert-Bosch-Straße 17 | 77656 Offenburg
Tel.: +49 781 600-0 | info@hobart.de
www.hobart.de



Werkskundendienst +49 800 600 1313
für Österreich +43 820 240 599

Zentraler Verkauf +49 180 300 0068

SCHWEIZ

GEHRIG GROUP AG

Bäulerwisenstrasse 1 | 8152 Glattbrugg
Tel.: +41 43 211 56-56
info@gehriggroup.ch
www.gehriggroup.ch

FRANCE

COMPAGNIE HOBERT

ZI PARIS EST - Allée du 1er Mai - B.P. 68
77312 MARNE LA VALLEE Cedex 2
Téléphone: +33 1 64 11 60 00
contact@hobart.fr
www.hobart.fr

UNITED KINGDOM

HOBERT UK

Southgate Way | Orton Southgate
Peterborough | PE2 6GN
Phone: +44 844 888 7777
customer.support@hobartuk.com
www.hobartuk.com

BELGIUM

HOBERT FOSTER BELGIUM

Industriestraat 6 | 1910 Kampenhout
Phone: +32 16 60 60 40
sales@hobart.be
www.hobart.be

NEDERLAND

HOBERT NEDERLAND B.V.

Pompmolenlaan 12 | 3447GK Woerden
Tel.: +31 348 46 26 26
info@hobart.nl | www.hobart.nl

NORGE

HOBERT NORGE

Gamle Drammensvei 120 A | 1363 HØVIK
Tel.: +47 67 10 98 00
post@hobart.no | www.hobart.no

SVERIGE

HOBERT SCANDINAVIA APS

Varuvägen 9 | 125 30 Älvsjö
Tel.: +46 8 584 50 920
info@hobart.se | www.hobart.se

DANMARK

HOBERT SCANDINAVIA APS

Håndværkerbyen 27 | 2670 Greve
Tel.: +45 43 90 50 12
salg@hobart.dk | www.hobart.dk

AUSTRALIA

HOBERT FOOD EQUIPMENT

Unit 1/2 Picken Street | Silverwater NSW | 2128
Tel.: +61 2 9714 0200
www.hobartfood.com.au

SPAIN

HOBERT ESPAÑA

DIVISION DE ITW ESPAÑA, S.L.U.

Ctra de Ribes KM 31,7
08520 Les Franqueses del Vallés, Barcelona
Phone +34 938 605 020
info@hobart.es | www.hobart.es

KOREA

HOBERT KOREA LLC

7th Floor | Woonsan Bldg | 108 | Bangi-dong
Songpa-gu | Seoul 138-050
Phone: +82 2 34 43 69 01
contact@hobart.co.kr
www.hobart.co.kr

JAPAN

HOBERT (JAPAN) K.K.

Suzunaka Building Omori
6-16-16 Minami-Oi | Shinagawa-ku | Tokyo 140-0013
Phone: +81 3 5767 8670
info@hobart.co.jp | www.hobart.co.jp

SINGAPORE

HOBERT INTERNATIONAL (S) PTE LTD

158 | Kallang Way | #06-03/05
Singapore 349245
Phone: +65 6846 7117
enquiry@hobart.com.sg
www.hobart.com.sg

THAILAND

HOBERT (THAILAND)

43 Thai CC Tower Building | 31st FL
Room No. 310-311 | South Sathorn Rd.
Yannawa | Sathorn | Bangkok | 10120
Phone: +66 2 675 6279 81 | enquiry@hobartthailand.com
www.hobartthailand.com

OTHER COUNTRIES

HOBERT GMBH

Robert-Bosch-Straße 17 | 77656 Offenburg | Germany
Phone: +49 781 600-2820
info-export@hobart.de
www.hobart-export.com

Die Angaben in diesem Prospekt beruhen auf dem Stand 05/2024. Technische Änderungen oder Änderungen der Ausführung bleiben vorbehalten.

The details given in this brochure are correct as of 05/2024. We reserve the right to technical or design modifications.

Document non contractuel. Les indications de ce prospectus sont conformes à la mise à jour de 05/2024. Nous nous réservons le droit de modifier les données ou les configurations techniques de nos machines.

