

## AUTOMATIC DOUGH SHEETERS



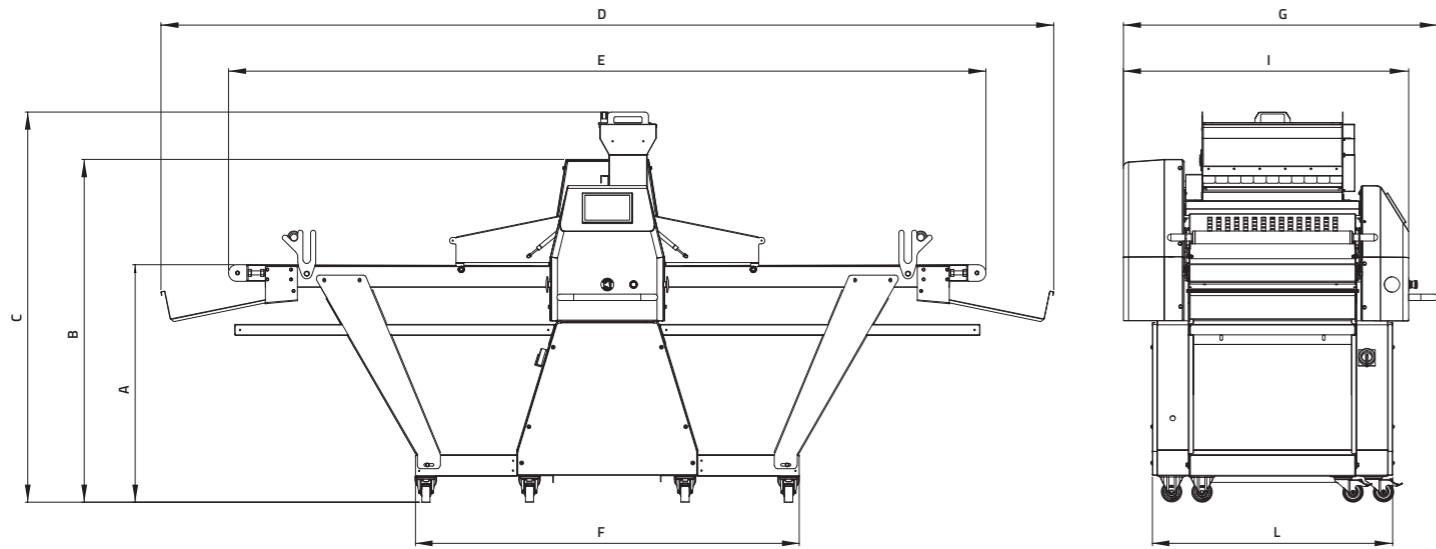
SF6514 A

SFA

Technical specifications	SF6514A	SF6516A	SF6520A
A (mm)	930	930	930
B (mm)	1340	1340	1340
C (mm)	1530	1530	1530
*D (mm)	3495	3885	4690
*E (mm)	2960	3340	4180
F (mm)	1505	1905	2305
G (mm)	1230	1230	1230
I (mm)	1115	1115	1115
L (mm)	945	945	945
Cylinder opening (mm)	50	50	50
Cylinder diameter (mm)	80	80	80
Belt width (mm)	650	650	650
Power (Kw)	1,1	1,1	1,1
Power (hp)	1,5	1,5	1,5
Weight (kg)	360	400	440

\* for dimensions E and D, consider 200 mm more if the machine is equipped with a winder.

\*\* for dimension C consider 200 mm less if the machine does not have a flour duster (the weight refers to the machine without winder and cutting station).



### PASTRY EQUIPMENTS



**Z.MATIK**  
DOUGH LOVERS

Z.Matik S.r.l. - Via dell'Artigianato, IV Strada, n.6  
35020 Candiana (PD) Italy - Tel. +39 049 9599935  
www.zmatik.com - info@zmatik.com



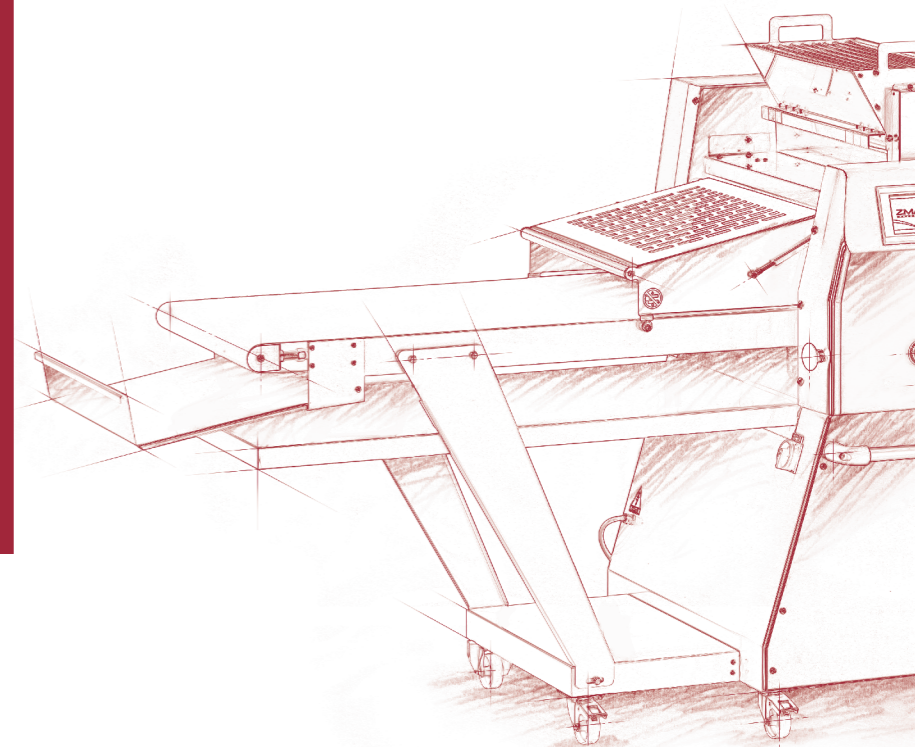
© Creative Studio s.r.l. - PD 09/2023

# ZMATIK

## AUTOMATIC DOUGH SHEETERS



**Z.MATIK**  
DOUGH LOVERS



Z.Matik (a cui politica è quella di un continuo perfezionamento, si riserva il diritto di cambiare in qualsiasi momento i dettagli tecnici senza preavviso - Due to technical progress, Z.Matik reserves the right to change technical features without notice

# SFOGLIATRICI AUTOMATICHE

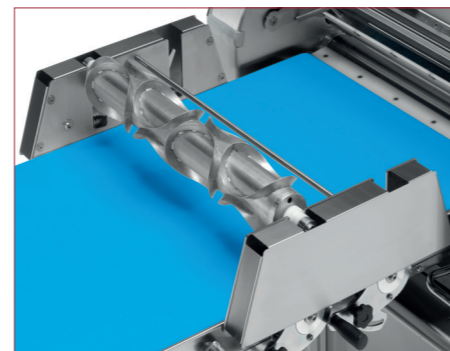
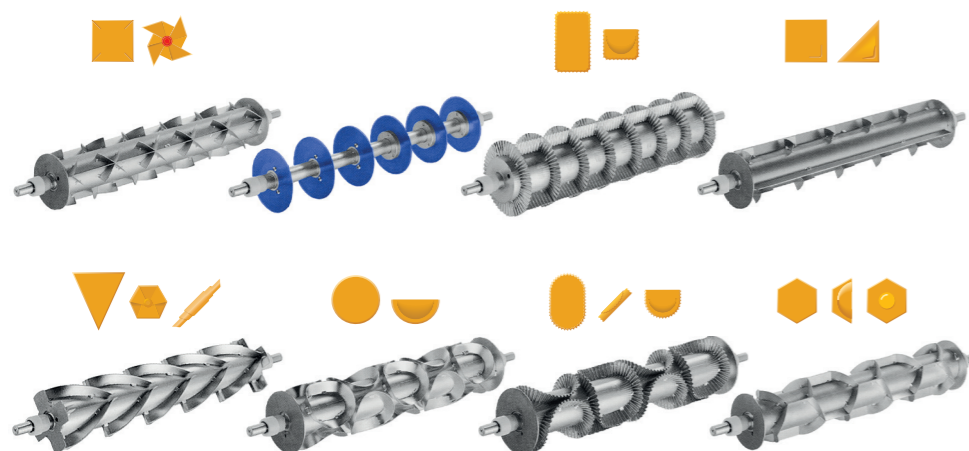
## AUTOMATIC DOUGH SHEETERS



**SF6514 A**

*Our puff pastry machine is functional, sturdy and easy to use. It is a reliable piece of equipment which will adapt to the work requirements of medium and big productions. All the automatica models are equipped of 7" colored touch screen panel which allows to work in three modes: manual/semiautomatic/automatic. In this way the machine's programming becomes easy and intuitive for the operator. It is possible to register 100 recipes with different production cycles. The machine can have as optionals the flour duster and winder that let to accelerate lavoration times.*

*Few models of cutting rollers (Optional)*



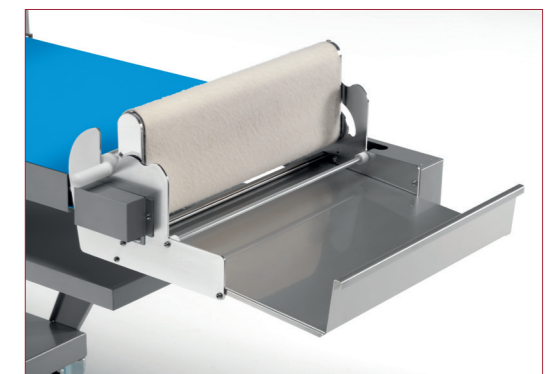
**Cutting station**

*Cutting station (Optional)*



**Flour duster**

*Automatic flour duster (Optional)*



**Winder**

*Automatic winder (Optional)*